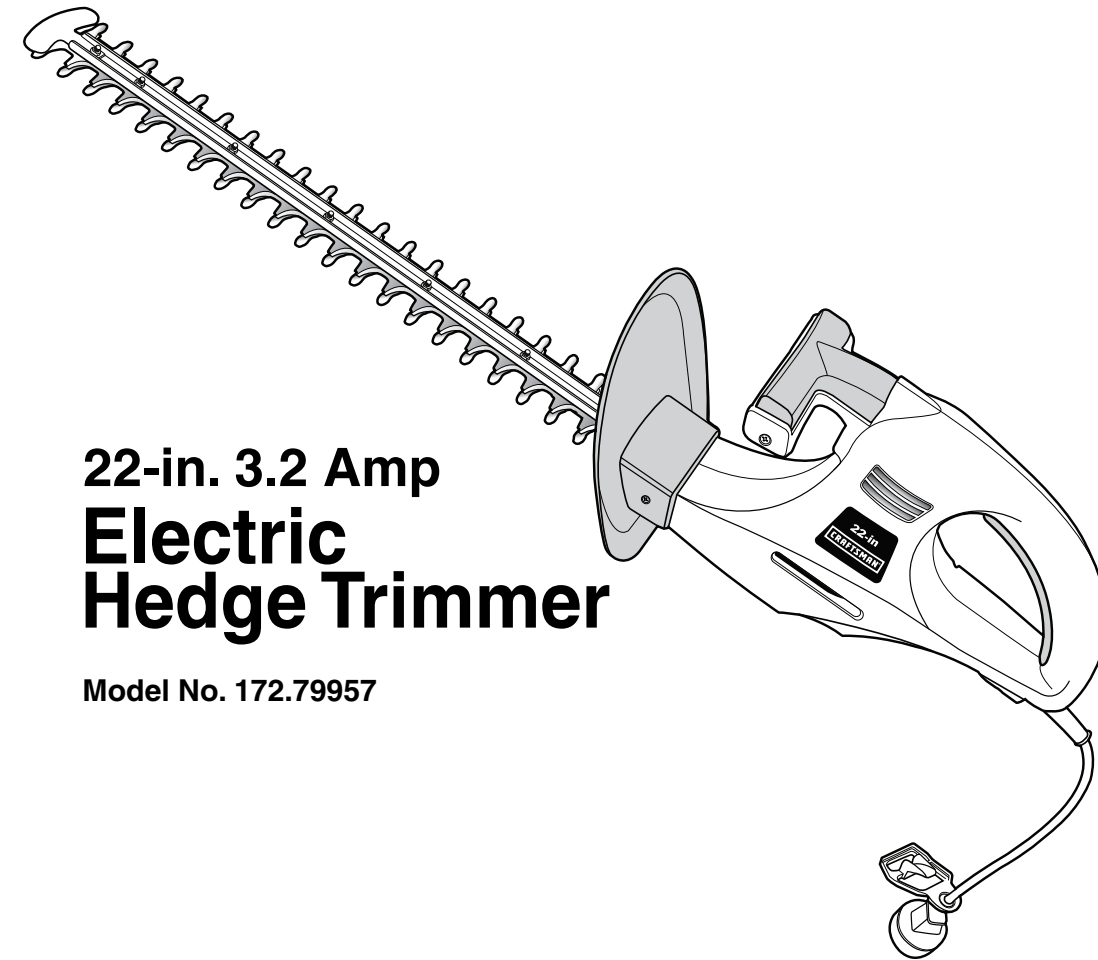


Operator's Manual



22-in. 3.2 Amp  
**Electric  
Hedge Trimmer**

Model No. 172.79957

**CAUTION:** Read, understand and follow all Safety Rules and Operating Instructions in this manual before using this product.

Sears, Roebuck and Co., Hoffman Estates, IL 60179 U.S.A.  
Visit our Craftsman® website: [www.sears.com/craftsman](http://www.sears.com/craftsman)

- WARRANTY
- SAFETY
- ASSEMBLY
- OPERATION
- MAINTENANCE
- PARTS LIST

## TABLE OF CONTENTS

Warranty.....	Page 2
Safety Symbols.....	Page 3
Safety Instructions.....	Page 4 - 11
Unpacking.....	Page 11
Description.....	Page 12 - 13
Assembly and Adjustments.....	Page 14 - 15
Operation.....	Page 15 - 17
Maintenance.....	Page 18 - 19
Accessories.....	Page 20
Parts List.....	Page 21 - 23

### TWO YEAR FULL WARRANTY ON CRAFTSMAN® HEDGE TRIMMER

**If this Craftsman product fails due to a defect in material or workmanship within two years from the date of purchase, RETURN IT TO ANY SEARS STORE OR OTHER CRAFTSMAN OUTLET IN THE UNITED STATES FOR FREE REPLACEMENT.**

This warranty does not include expendable parts such as lamps, batteries, bits blades, bonnets or strings.

If this Craftsman product is used for commercial or rental purposes, this warranty applies for only 90 days from the date of purchase.

This warranty gives you specific legal rights, and you may also have other rights, which vary from state to state.

Sears, Roebuck and Co., Hoffman Estates, IL

**⚠ WARNING: Some dust created by using lawn and garden power tools contains chemicals known to the State of California to cause cancer and birth defects or other reproductive harm.**

**SAVE THESE INSTRUCTIONS!  
READ ALL INSTRUCTIONS!**

## SAFETY SYMBOLS

The purpose of safety symbols is to attract your attention to possible dangers. The safety symbols, and the explanations with them, deserve your **careful attention and understanding**. The symbol warnings **DO NOT** by themselves eliminate any danger. The instructions and warnings they give are no substitutes for proper accident prevention measures.

**⚠ WARNING: BE SURE to read and understand all safety instructions in this manual, including all safety alert symbols such as "DANGER", "WARNING" and "CAUTION", BEFORE using this tool. Failure to follow all instructions listed below may result in electric shock, fire and/or serious personal injury.**

### SYMBOL MEANING

**⚠ SAFETY ALERT SYMBOL:** Indicates DANGER, WARNING, OR CAUTION. May be used in conjunction with other symbols or pictographs.

**⚠ DANGER** Failure to obey this safety warning **WILL** result in death or serious injury to yourself or to others. Always follow the safety precautions to reduce the risk of fire, electric shock and personal injury.

**⚠ WARNING** Failure to obey this safety warning **CAN** result in death or serious injury to yourself or to others. Always follow the safety precautions to reduce the risk of fire, electric shock and personal injury.

**⚠ CAUTION** Failure to obey this safety warning **MAY** result in personal injury to yourself or others or property damage. Always follow the safety precautions to reduce the risk of fire, electric shock and personal injury.

### DAMAGE PREVENTION AND INFORMATION MESSAGES

These inform user of important information and/or instructions that could lead to equipment or other property damage if not followed. Each message is preceded by the word "NOTE:" as in the example below:

**NOTE: Equipment and/or property damage may result if these instructions are not followed.**



**⚠ WARNING: The operation of any power tool can result in foreign objects being thrown into your eyes, which can result in severe eye damage. Before beginning power tool operation, ALWAYS wear safety goggles or safety glasses with side shield and a full-face shield when needed. We recommend a Wide Vision Safety Mask for use over eyeglasses or standard safety glasses with side shield, available at Sears Stores or other Craftsman Outlets.**

## SAFETY INSTRUCTIONS

**⚠ WARNING:** if correctly used, this electric hedge trimmer is a quick, easy to handle and efficient tool; if used improperly or without the due precautions it could become a dangerous tool. For pleasant and safe work, ALWAYS strictly comply with the safety rules that are contained in this manual.

**⚠ WARNING:** BE SURE to read and understand all instructions in this manual before using this power tool. Failure to follow all instructions may result in electric shock, fire and/or serious personal injury.

**⚠ WARNING:** To avoid mistakes that could cause serious injury, DO NOT plug in this tool until the following instructions have been read and understood.

### WORK AREA SAFETY

1. **ALWAYS** avoid dangerous conditions. **DO NOT** use in wet or damp areas or expose to rain.
2. **DO NOT** operate in the presence of flammable liquids, gases, or dust. Electric tools create sparks which may ignite dust or fumes.
3. **ALWAYS** keep bystanders and visitors at a safe distance while operating a trimmer. **NEVER** allow children near the tool. Flying objects can injure anyone in the area.
4. Children **MUST NOT** operate this tool.
5. **CHILDPROOF** your tools with padlocks and master switches. Lock tools away when not in use. This trimmer is not a toy.
6. **DO NOT** use trimmer at night. **ALWAYS** make sure you have adequate lighting.

### PERSONAL SAFETY

**⚠ WARNING:** The operation of any trimmer can result in FOREIGN OBJECTS BEING THROWN, which can result in personal injury or property damage. ALWAYS use proper safety equipment.

**⚠ DANGER:** Laceration Hazard. Keep hands away from blades. Keep both hands on handles when power is on.

#### BLADE WARNINGS

##### TO AVOID PERSONAL INJURY:

- Handle blades with care.
- Always keep one hand on the rear handle and the other hand on the auxiliary handle to prevent your hands from touching the cutting blades.
- **DO NOT** place your fingers or hand between the dual cutting blades or in any position on the blade bar where they could get pinched or cut.
- **NEVER** touch, inspect or service the blades or hedge trimmer unless the pigtail power cord is disconnected from the extension cord and power supply.
- **ALWAYS** wear heavy-duty rubber gloves when you are using the hedge trimmer and when inspecting the blades for damage or cleaning or lubricating them.
- **DO NOT** use the hedge trimmer if the cutting bar or blade assembly is damaged or bent. Have the hedge trimmer serviced at Sears Parts and Repair Service Center.

## SAFETY INSTRUCTIONS cont.

### PERSONAL SAFETY cont.

**⚠ DANGER:** ALWAYS USE EXTREME CARE WHEN OPERATING YOUR HEDGE TRIMMER.

If the hedge trimmer blades jam or get caught on an electrical cord or wires, **DO NOT TOUCH THE BLADE OR ELECTRICAL CORD OR WIRES FOR ANY REASON! THE BLADE COULD BE ELECTRICALLY "LIVE" AND CAUSE SERIOUS OR FATAL PERSONAL INJURY.**

Release, drop, set-down the hedge trimmer in the safest way possible, disconnect the damaged electrical cord or wires from the power source if possible. If that is not possible, call an electrician, electrical contractor, or the power company for assistance.

Failure to heed this DANGER warning will cause serious personal injury and possible death.

1. **KNOW your tool.** Read the operator's manual carefully. Learn the electric trimmer's applications and limitations, as well as the specific potential hazards related to this tool.
2. **STAY ALERT,** watch what you are doing and use common sense when operating this tool.
3. **DO NOT use tool while tired** or under the influence of drugs, alcohol or medication. A moment of inattention while operating this tool may result in serious personal injury.
4. **DRESS properly.** Wear rubber gloves and substantial rubber soled footwear when working outdoors. **DO NOT** operate lawn and garden tools when barefoot or wearing open sandals. Wear long pants and long sleeves to protect your legs and arms. Trimmers can pick up objects such as rocks and send them flying at fast speeds. **DO NOT** wear loose clothing or jewelry. Keep your hair, clothing, and gloves away from moving parts. Loose clothing or long hair can be caught in moving parts.
5. **USE SAFETY EQUIPMENT.** Always wear safety goggles or safety glasses with side shields or full face shield, proper work shoes with rubber non-slip soles, heavy-duty non-slip rubber gloves and dust mask or respirator and hearing protection. Hard hat should be used for appropriate conditions.
6. **DO NOT overreach. Keep proper footing and balance at all times.** Proper footing and balance enables better control of the tool in unexpected situations.

### TOOL USE AND CARE SAFETY

**⚠ WARNING:** BE SURE to read and understand all instructions before operating this tool. Failure to follow all instructions listed below may result in electric shock, fire and/or serious personal injury.

1. **DO NOT use the tool if switch does not turn it "On" or "Off".** Any tool that cannot be controlled with the switch is dangerous and must be repaired.
2. **DISCONNECT the plug from the power source before making any adjustments, changing accessories or storing the tool.** Such preventive safety measures reduce the risk of starting the tool accidentally.
3. **STORE idle tools out of the reach of children and other untrained persons. Children MUST NOT operate the tool.** Tools are dangerous in the hands of untrained users.

## SAFETY INSTRUCTIONS cont.

### TOOL USE AND CARE SAFETY cont.

4. **MAINTAIN hedge trimmer with care.** Keep cutting blades sharp and clean for best performance and to reduce the risk of injury. Inspect extension cord periodically and replace if damaged. Keep handles dry, clean and free from oil and grease.
5. **CHECK for misalignment or binding of moving parts, breakage of parts,** and any other condition that may affect the tool's operation. If damaged, have the tool serviced before using. Many accidents are caused by poorly maintained tools.
6. **ALWAYS INSPECT** the hedges, bushes, plantings that you are going to trim for hidden wires, pipe, landscape boards or other obstructions that could get caught in, or damage the cutting bar or blades.
7. **DO NOT** store the hedge trimmer on or adjacent to fertilizers or garden chemicals. Fertilizers and garden chemicals contain agents which greatly accelerate the corrosion of metals, such as the hedge trimmer's blades and cutting bar.

**NOTE: IMPORTANT** Lubricate the blades before and after each use. Ignoring lubrication will shorten blade life and affect cutting operation.

### ELECTRICAL SAFETY

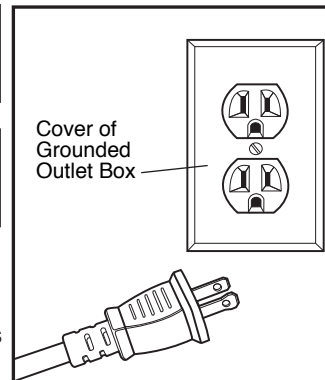
**⚠ WARNING:** Ground Fault Circuit Interrupter (GFCI) protection should be provided on the circuit(s) or outlet(s) to be used for hedge trimmer.

**⚠ WARNING:** Do not permit fingers to touch the terminals of plug when installing or removing the plug from the outlet.

1. **Double insulated tools are equipped with a polarized plug (one blade is wider than the other). This plug will fit in a polarized outlet only one way.** If the plug does not fit fully in the outlet, reverse the plug. If it still does not fit, contact a **qualified electrician** to install a polarized outlet. Do not change or alter the plug in any way.
2. Double insulation  eliminates the need for the three-wire grounded power cord and grounded power supply system. Applicable only to Class II (double-insulated) tools. **This tool is a double insulated tool.**

**⚠ CAUTION:** This hedge trimmer has a 12-in. Pigtail Power Cord that must be plugged into a proper extension cord (see page 7).

**⚠ WARNING:** Double insulation **DOES NOT** take the place of normal safety precautions when operating this tool.



## SAFETY INSTRUCTIONS cont.

### ELECTRICAL SAFETY cont.

3. **BEFORE** plugging in the tool, **BE SURE** that the outlet voltage supplied is within the voltage marked on the tool's data plate. **DO NOT** use "AC only" rated tools with a DC power supply.
4. **DO NOT** expose tools to rain or wet conditions or use electric tools in wet or damp locations. Water entering an electric tool will increase the risk of electric shock.
5. **If operating an electric tool in damp locations is unavoidable, ALWAYS USE a Ground Fault Circuit Interrupter to supply power to your tool. ALWAYS WEAR electrician's rubber gloves and footwear in damp conditions.**
6. When operating a power tool outside, **ALWAYS** use an outdoor extension cord marked "W-A" or "W". these cords are rated for outdoor use and reduce the risk of electric shock.
7. **INSPECT tool cords for damage.** Have damaged tool cords repaired at a Sears Service Center. **BE SURE** to stay constantly aware of the cord location and keep it well away from the blades.
8. **DO NOT** abuse the cord. **NEVER** use the cord to carry the tool by or to pull the plug from the outlet. Keep cord away from heat, oil, sharp edges or moving parts. Replace damaged cords immediately. Damaged cords increase the risk of electric shock.

### EXTENSION CORDS

**Use a proper extension cord. ONLY** use cords listed by Underwriters Laboratories (UL). Other extension cords can cause a drop in line voltage, resulting in a loss of power and overheating of tool.

For this tool an AWG (American Wire Gauge) size of a least 14-gauge is recommended for an extension cord of 25- ft. or less in length. Use 12-gauge for an extension cord of 50-ft. **Extension cords 100-ft. or longer are not recommended.**

Remember, a **smaller wire gauge size has greater capacity than a larger number** (14-gauge wire has more capacity than 16-gauge wire; 12-gauge wire has more capacity than 14-gauge). When in doubt use the smaller number.

**When operating a power tool outdoors, use only with an outdoor extension cord marked "W-A" or "W". These cords are rated for outdoor use and reduce the risk of electric shock.**

**⚠ CAUTION:** Keep the extension cord clear of the work area. Position the cord so that it will not get caught on bushes, hedges, tree trunks, lawnmowers or other obstructions while you are working with the trimmer.

**⚠ WARNING:** Check extension cords before each use. If damaged replace immediately. Never use tool with a damaged cord since touching the damaged area could cause electrical shock, resulting in serious injury.



## SAFETY INSTRUCTIONS cont.

### EXTENSION CORDS cont.

The label on your tool may include the following symbols.

V.....	Volts
A.....	Amps
Hz.....	Hertz
W.....	Watts
min.....	Minutes
~.....	Alternating current
—.....	Direct current
n <sub>o</sub> .....	No-load speed
□.....	Class II construction, Double Insulated
RPM.....	Revolutions per minute
SPM.....	Strokes per minute
OPM.....	Orbits per minute
⚠.....	Indicates danger, warning or caution. It means attention! Your safety is involved.

### SERVICE SAFETY

1. If any part of this hedge trimmer is missing or should break, bend, or fail in any way; or should any electrical component fail to perform properly: **SHUT OFF** the power switch and remove the trimmer plug from the power source and have the missing, damaged or failed parts replaced **BEFORE** resuming operation.
2. **Tool service should be performed at a Sears Parts and Repair Center.** Service or maintenance performed by unqualified personnel could result in a risk of injury.
3. **When servicing a tool, use only identical replacement parts. Follow instructions in the maintenance section of this manual.** Use of unauthorized parts or failure to follow maintenance instructions may create a risk of electric shock or injury.

### SAFETY RULES FOR ELECTRIC HEDGE TRIMMERS

1. **DANGER; Risk of cut. Keep hands away from blades. Keep both hands on handles when power is connected to hedge trimmer. DO NOT ATTEMPT to remove cut material or hold material to be cut when blades are moving. Make sure the trimmer switch is off, and the trimmer is disconnected from the power supply when clearing jammed material from blades. DO NOT grasp the exposed cutting blades or cutting edges when picking up or holding the hedge trimmer.**
2. **CAUTION: Blades coast after hedge trimmer is turned off.**
3. **KNOW your electric trimmer. Read operator's manual carefully.** Learn the applications and limitations, as well as the specific potential hazards related to this tool. Following this rule will reduce the risk of electric shock, fire or serious injury.

**⚠ DANGER: Laceration Hazard. Keep hands away from blades. Handle blades with care. Keep both hands on handles when power is on.**

## SAFETY INSTRUCTIONS cont.

### SAFETY RULES FOR ELECTRIC HEDGE TRIMMERS cont.

4. **Know the controls** and know how to stop the blade quickly. Your hedge trimmer was designed with safety in mind. Dual Safety Trigger Switches located on the rear handle and the front auxiliary handle help prevent accidental starting. BOTH trigger switches have to be depressed to turn the hedge trimmer On. ONLY one has to be released to turn the trimmer Off.
5. **DO NOT** use trimmer without adequate lighting. **ALWAYS** make sure that you can see what you are trimming and edging.
6. Use trimmer **ONLY** when vegetation is dry.
7. **ALWAYS** hold the trimmer by both the main handle and the auxiliary handle for greater control and balance. **NEVER** reach in front of the safety guard. **NEVER**, for any reason, touch the cutting blades or any moving parts during use.
8. **ALWAYS** keep the cord behind the trimmer when in use. **DO NOT** place the cord over the hedge where it can be cut by the blade.

**⚠ WARNING: Do not attempt to remove cut material or hold material to be cut when blades are moving. ALWAYS make sure the trimmer switch is OFF and trimmer is UNPLUGGED when clearing jammed material from blades. DO NOT hold the exposed cutting blades or cutting edges when picking up or holding the hedge trimmer.**

9. **DO NOT** carry the trimmer by the cord or pull the cord to disconnect it from the power receptacle. Keep cord away from heat, oil and sharp edges.
10. **DO NOT FORCE the trimmer.** Do not try to cut more than what the trimmer is designed for. **DO NOT** force the unit through thick, dense growth. If the blades slow down, reduce your pace. Trimmer will do a better job with less chance of injury when used at the rate for which it is designed.
11. If hedge trimmer starts to vibrate abnormally, **CHECK** immediately. Excessive vibration can cause injury.
12. **DO NOT OVERREACH.** Keep proper footing and balance at all times. Be aware of footing when taking steps while using trimmer. **NEVER** run when using your hedge trimmer.
13. **STAY ALERT.** Watch what you are doing. Use common sense. **DO NOT** operate the trimmer when you are tired.
14. **ALWAYS** disconnect the trimmer from power source when not in use, or when you are cleaning or servicing it.
15. **MAINTAIN** the trimmer with care. Follow instructions for lubricating blades. **ALWAYS** inspect the hedge trimmer cord and if damaged have repaired, and also inspect extension cord before each use and replace if damaged.
16. **KEEP the handle** dry, clean and free of oil and grease. Use a clean cloth when cleaning. **DO NOT** use solvents, brake fluids, gasoline, or other petroleum products to clean the trimmer. They can damage plastic parts.
17. **KEEP guard in place** and in good working order. **NEVER** operate trimmer without guard in place. Keep hands away from cutting blades.
18. **NEVER** use the guard as a handle. **NEVER** hold the hedge trimmer by the guard. Failure to heed this warning can result in serious personal injury.

## SAFETY INSTRUCTIONS cont.

### SAFETY RULES FOR ELECTRIC HEDGE TRIMMERS cont.

19. Disconnect from power source **BEFORE** passing the hedge trimmer to another person.
20. **ALWAYS** store the trimmer indoors when not in use. It should be stored in a dry place, high up or locked in a place that is out of the reach of children.
21. **ALWAYS** use only the accessories provided by or sold by Sears. Use of any other accessories may create a hazardous situation.
22. **ALWAYS** keep ventilation openings clear of debris.
24. **BEFORE** using this hedge trimmer, clear the area to be cut. Remove all objects such as cords, lights, wire, or string, which can become entangled in the cutting blade.
25. If you hit an object with the hedge trimmer, **CHECK** to be sure trimmer is in safe operating condition **BEFORE** continuing to use.

**⚠ WARNING:** Some dust particles created by lawn and garden tools contain chemicals known to cause cancer, birth defects or other reproductive harm. Some examples of these chemicals are:

- Compounds in fertilizers, herbicides, pesticides, and insecticides.
- Arsenic and chromium from chemically treated lumber.

Your risk from these exposures varies, depending upon how often you do this type of work. To reduce your exposure to these chemicals:

- Work in a well-ventilated area
- Work with approved safety equipment, such as those dust masks that are specially designed to filter out microscopic particles.

### ADDITIONAL RULES FOR SAFE OPERATION

**⚠ WARNING:** BE SURE to read and understand all instructions. Failure to follow all instructions listed below may result in electric shock, fire and/or serious personal injury.

1. **Know your power tool. Read operator's manual carefully.** Learn the applications and limitations, as well as the specific potential hazards related to this tool. Following this rule will reduce the risk of electric shock, fire or serious injury. Lend this operator's manual to any user who borrows this hedge trimmer.
2. **ALWAYS wear safety glasses or eye shields when using this tool.** Everyday eyeglasses have only impact-resistant lenses; they are **NOT** safety glasses.
3. **PROTECT your lungs.** Wear a face mask or dust mask if the operation is dusty.
4. **PROTECT your hearing.** Wear appropriate personal hearing protection during use. Under some conditions noise from this product may contribute to hearing loss.
5. **ALL VISITORS AND BYSTANDERS MUST** wear the same safety equipment that the operator of the tool wears.
6. **INSPECT** the tool cords periodically and if damaged have them repaired at your nearest Sears Service Center. **ALWAYS BE AWARE** of the cord location.

## SAFETY INSTRUCTIONS cont.

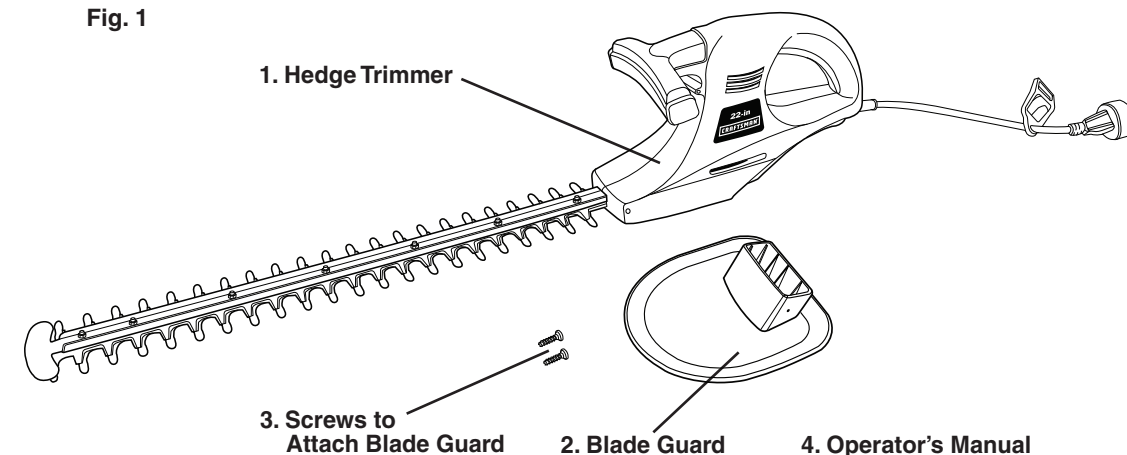
7. **ALWAYS check the tool for damaged parts.** Before further use of the tool, a guard or other part that is damaged should be carefully checked to determine if it will operate properly and perform its intended function. Check for misalignment or binding of moving parts, breakage of parts, and any other condition that may affect the tool's operation. A guard or other part that is damaged should be properly repaired or replaced at a Sears Service center.
8. **Keep hands away from blades.**
9. **Keep both hands** on handles; don't overreach.
10. **BLADES COAST after turn Off.**
11. **DO NOT** use in wet conditions.
12. **DO NOT** use with damaged blade bar, cutting blades, guard, handles, power cord or extension cord. Have them repaired at your nearest Sears Service Center.
13. **DO NOT** store trimmer plugged into power supply.
14. **SAVE THESE INSTRUCTIONS.** Refer to them frequently and use them to instruct others who may use this tool. If someone borrows this tool, make sure they have these instructions also.

## UNPACKING

1. The **trimmer** comes fully assembled except for the **blade guard**, which must be attached.
2. Remove the **hedge trimmer** and **guard** from the carton and inspect them for damage.
3. Do not discard box or packing material until all parts are examined.

**⚠ WARNING:** If any part of the hedge trimmer is missing or damaged, do not plug in the trimmer until the damaged part is repaired or replaced.

Fig. 1



## DESCRIPTION

### KNOW YOUR ELECTRIC HEDGE TRIMMER (Fig. 2)

Your hedge trimmer has many built-in convenience features for fast, efficient cutting. These features include the front handle with a top trigger switch, and a trigger safety switch under the rear handle, to prevent accidental starts. Both must be pressed on to turn the hedge trimmer on.

Your hedge trimmer has a precision built electric motor and it should only be connected to a 120-volt, 60 Hz AC ONLY power supply (normal household current). The trimmer should always be used with a GFCI (Ground Fault Circuit Interrupter) outlet.

**DO NOT** operate this trimmer on direct current (DC). The large voltage drop would cause a loss of power and the motor would overheat. If the trimmer does not operate when plugged into correct 120-volt, 60 Hz AC ONLY outlet, check the power supply. The trimmer comes with a 12-in. pigtail power cord and must be plugged into a proper extension cord.

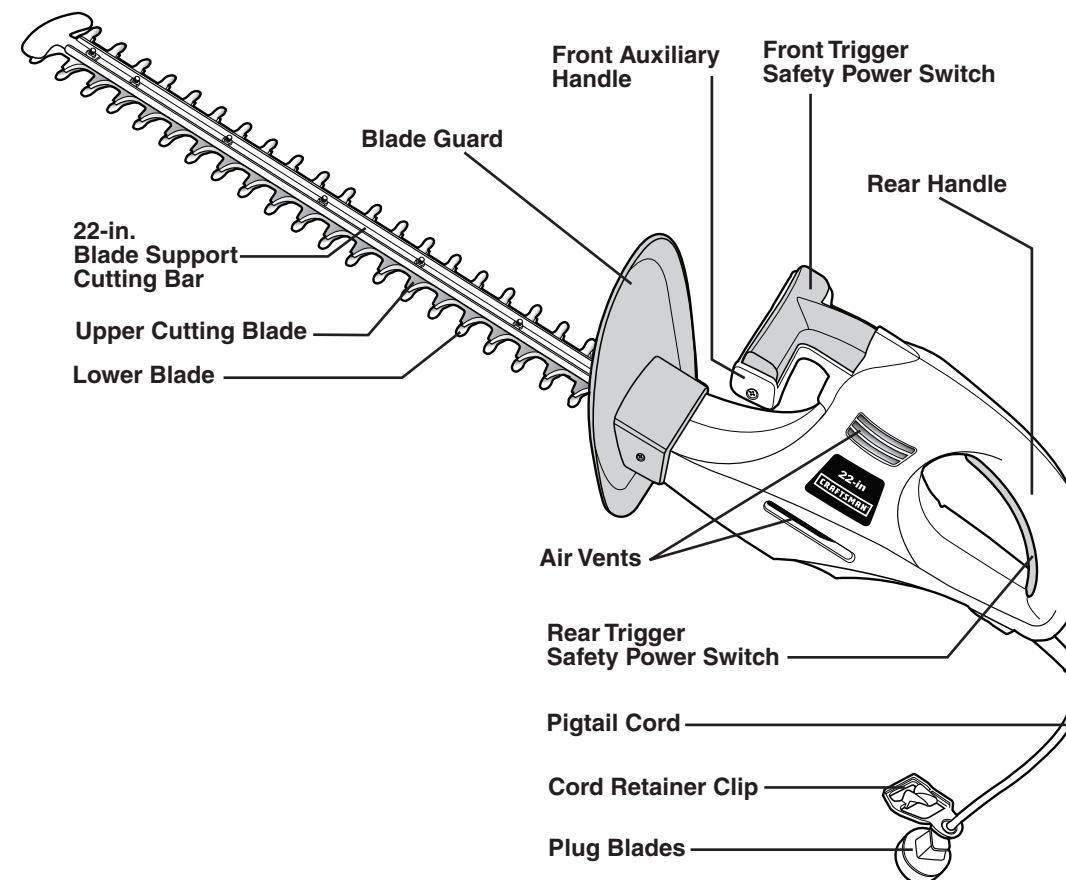
#### This Electric Hedge Trimmer Has the Following Features:

1. **3.2 Amp Motor** provides the power to cut branches up to 3/4-inch in diameter.
2. **3000 SPM-Strokes per minute** (no-load speed) for fast cutting on a variety of hedge trimming jobs around the yard.
3. **22-inch long Steel Cutting Bar** provides durability and extended cutting reach.
4. **Dual Cutting Action** helps minimize vibration to reduce operator fatigue and provides a fast cutting action
5. **Hardened Steel Blades** stay sharp longer.
6. **Dual Safety On/Off Trigger Switches** with extended wrap, located on rear handle and front "T" handle. Both switches have to be depressed to power hedge trimmer ON
7. **Ergonomically designed Front "T" Handle** for maximum handling control
8. **Rear Handle** for easy control in all angles of use.
9. **Cord Retention Clip** located on pigtail cord keeps extension cord connected.
10. **Lightweight Ergonomically Designed** for easy use and handling comfort

**⚠ DANGER: Laceration Hazard.** Keep hands away from blades. Handle blades with care. Keep both hands on handles when power is on.

## DESCRIPTION cont.

Fig. 2



### SPECIFICATIONS

Blade Length	22-inches
Speed (Strokes per Minute)	3000
Cutting Capacity	3/4-inch
Cutting Action	Dual
Power Requirement	120-volt, 60 Hertz AC

## ASSEMBLY

**⚠ WARNING:** Your hedge trimmer should NEVER be connected to the power source when you are assembling parts, making adjustments, oiling blades, cleaning or when it is not in use. Disconnecting the trimmer will prevent accidental starting, which could cause serious personal injury.

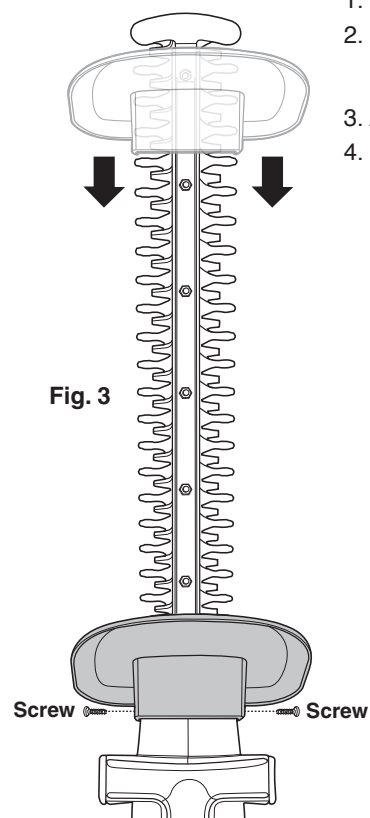
**⚠ CAUTION:** ALWAYS make sure you support the weight of the hedge trimmer by setting it down on a flat, dry surface before you assemble parts, adjust handles or perform maintenance on the hedge trimmer.

**⚠ WARNING:** To avoid injury, ALWAYS turn off and disconnect the trimmer from the power outlet BEFORE installing parts, cleaning the trimmer or making any adjustments.

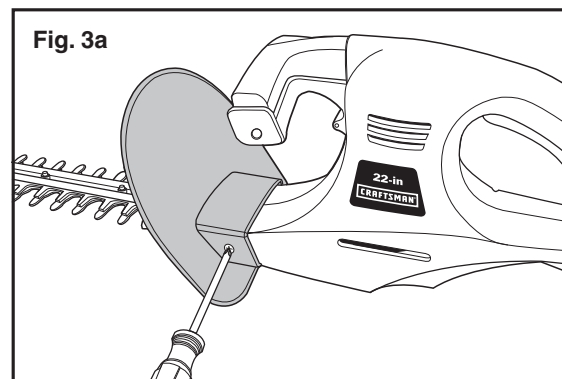
### ATTACHING THE BLADE SAFETY GUARD (Fig. 3, 3a and 3b)

The Blade Safety Guard must be attached before use.

1. Disconnect trimmer from the power supply.
2. Slide the blade guard up the blades with the large part of it on the topmost part of trimmer (see Fig. 3).
3. Align holes in blade guard with holes on trimmer unit.
4. Use the two screws included to affix the guard securely.



14

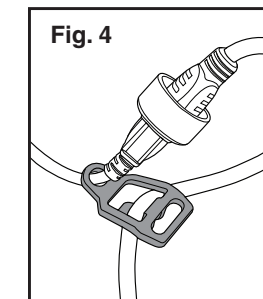


## ASSEMBLY cont.

### PIGTAIL POWER CORD (Fig. 4)

Your hedge trimmer has a 12-inch pigtail power cord. This cord must be attached to a proper extension cord (see page 7, EXTENSION CORDS), using the Cord Retainer Clip.

1. Make a loop of extension cord and place through the elongated hole on the cord retainer clip (Fig. 4).
2. Fasten this loop of extension cord onto the hook on the cord retainer clip (Fig. 4). Pull excess cord back through elongated hole.
3. Plug trimmer's power cord into extension cord plug (see Fig. 4). Extension cord is now firmly attached to cord retainer clip.



## OPERATION

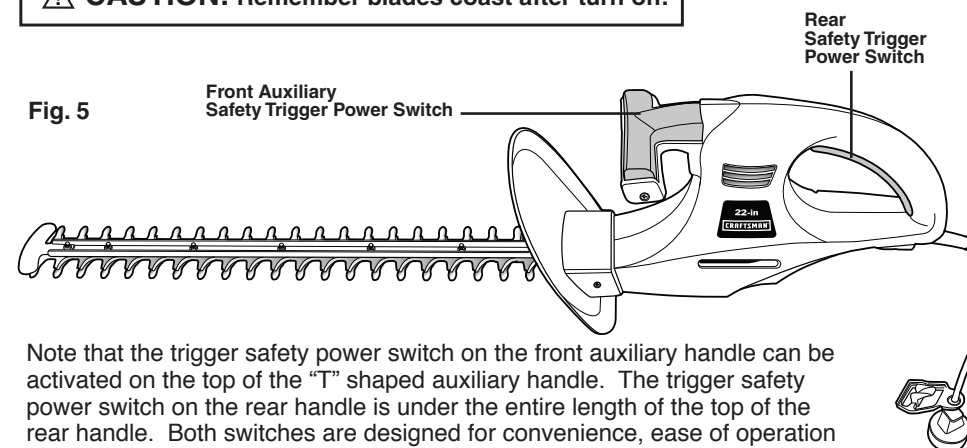
Before attempting to use any tool, be sure to familiarize yourself with all the operating features and safety instructions.

**⚠ WARNING:** IF ANY PARTS ARE MISSING, DO NOT OPERATE YOUR HEDGE TRIMMER UNTIL THE MISSING PARTS ARE REPLACED. FAILURE TO FOLLOW THIS RULE COULD RESULT IN SERIOUS PERSONAL INJURY.

### TRIGGER SAFETY POWER SWITCHES (Fig. 5)

There are 2 safety trigger power switches on the handles of your trimmer. Both trigger switches need to be depressed for the trimmer to operate. Depress and hold the front trigger switch and depress the rear trigger switch. To stop hedge trimmer, release either one of the trigger switches and the trimmer will stop.

**⚠ CAUTION:** Remember blades coast after turn off.



Note that the trigger safety power switch on the front auxiliary handle can be activated on the top of the "T" shaped auxiliary handle. The trigger safety power switch on the rear handle is under the entire length of the top of the rear handle. Both switches are designed for convenience, ease of operation and handling comfort in all cutting positions.

15

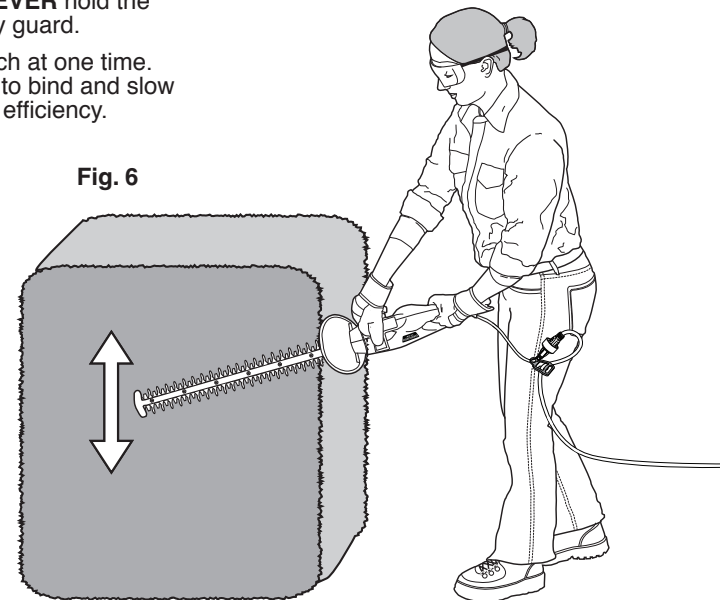


## OPERATION cont.

### USING THE TRIMMER (Figs. 6, 7 and 8)

**NOTE:** Always keep the power cord behind the hedge trimmer when in use. Do not place it over the hedge where it may be cut.

1. Always hold the hedge trimmer firmly with both hands. Maintain proper footing and balance and do not overreach (see Fig. 6).
2. Before cutting an area, inspect it first and remove any foreign objects that could become thrown or entangled in the blades.
3. **ALWAYS** hold the hedge trimmer with one hand on the front handle and one on the rear handle and with the blade away from you before turning it on. **NEVER** hold the trimmer by the blade safety guard.
4. **DO NOT** try to trim too much at one time. This can cause the blades to bind and slow down, reducing the cutting efficiency.



**⚠ DANGER:** If the blade jams on any electrical cord or line, **DO NOT TOUCH THE BLADE. IT CAN BECOME ELECTRICALLY LIVE AND BE VERY DANGEROUS.** Continue to hold your trimmer by the insulated handles and immediately disconnect the damaged electrical cord or line from the power source. Failure to heed this warning will result in serious or fatal personal injury.

5. **ALWAYS** wear heavy-duty rubber gloves when trimming; they will help protect your hands from thorny or prickly growth.

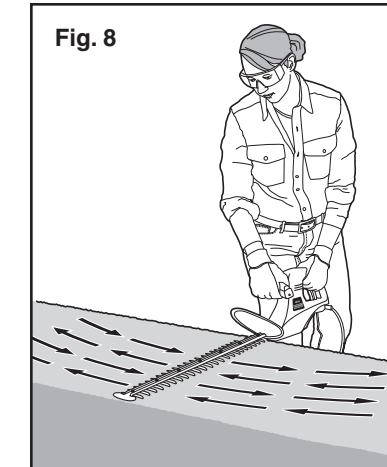
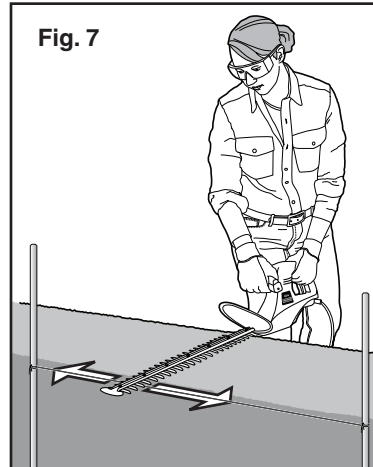
**⚠ CAUTION:** **DO NOT** try to cut branch stems that are larger than 3/4-in (19mm) thick or those obviously too large to feed into the cutting blade. Use the hedge trimmer for cutting normal hedges and shrubbery only. Use a hand saw or pruning saw to trim large branches.

16

## OPERATION cont.

### USING THE TRIMMER (Figs. 6, 7 and 8) cont.

6. When trimming new growth, use a wide sweeping motion (see Fig. 8), so the stems are fed directly into the cutting blade. A slight downward tilt of the blade in the direction of motion gives the best cutting.
7. Older growth will have thicker stems and should be trimmed using a back and forth sawing motion.
8. **LEVEL HEDGES** - To obtain exceptionally level hedges, a piece of string can be stretched along the edge of the hedges as a guide (see Fig. 7).
9. **SIDE TRIMMING HEDGES** - To side-trim hedges, begin at the bottom of the hedge and sweep upward (see Fig. 6).



**⚠ WARNING:** To help guard against injury, always observe the following rules.

- Read operator's manual before each use. Save manual.
- Always check Blade Safety Guard to make sure it is locked tightly and securely in position before using the trimmer
- Keep hands away from blades, behind the blade safety guard.
- Keep hands on handles. Do not overreach.
- Do not use in wet conditions.
- Do not use with damaged extension cords.
- Never immerse any part of the tool into a liquid.

**⚠ CAUTION:** Blade coasts after turn off. Do not put your hands anywhere near the blades until they come to a complete stop and you have disconnected trimmer from power source.

**⚠ WARNING:** **DO NOT** use this hedge trimmer with any type of accessory or attachment. Such usage might be hazardous.

17



## MAINTENANCE

**⚠ WARNING:** Your hedge trimmer should NEVER be connected to the power source when you are assembling parts, making adjustments, oiling blades, cleaning or when it is not in use. Disconnecting the trimmer will prevent accidental starting, which could cause serious personal injury.

Periodic maintenance allows for long life and trouble-free operation. A cleaning and maintenance schedule should be maintained. As a common preventive maintenance practice, follow these recommended steps:

1. When work has been completed, always clean and oil the cutting blades, and clean the tool to allow smooth functioning of the tool over time. Also keep the air vents free of obstructions.
2. Clean the tool with a small brush. Wipe off any moisture with a soft cloth.
3. Keep the motor air openings free from oil, grease, leaves, stems or woodchips, and store tool in a dry place.

### SHARPENING AND REMOVING NICKS FROM THE BLADES (Fig. 9)

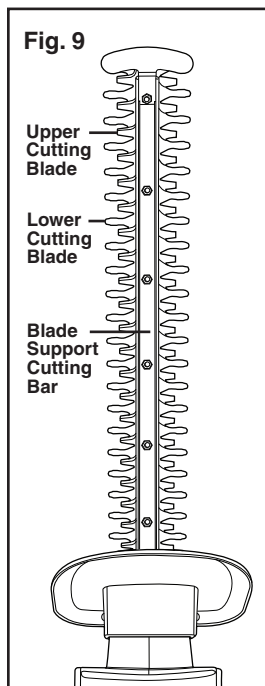
The cutting blades are made from high quality, hardened steel and with normal usage, they will not require re-sharpening. However, if you accidentally hit a wire fence, stone or brick wall or some other hard objects, you may put a nick in the blade. There is no need to remove the nick as long as it does not interfere with the movement of the blade's dual action. To remove nicks or sharpen the blades, follow these recommended steps:

1. Allow the hedge trimmer to come to a stop with the upper cutting blades and lower blades positioned as shown in Fig. 9. This will allow clearance for the file between the upper cutting teeth and the lower teeth.
2. Disconnect the trimmer from the power supply.

**⚠ WARNING:** To avoid injury, ALWAYS turn off and disconnect the trimmer from the power outlet BEFORE installing parts, cleaning the trimmer or making any adjustments.

3. Clamp the blade support cutting bar assembly in a vise and make sure you support the weight of the motor housing and rear handle on a flat surface. File the exposed cutting surface of the damaged blade tooth with an 8-inch fine round file, having a 1/4 or 7/32-inch diameter. Be sure to retain the tooth's original angle when filing to sharpen or to remove nicks.

**⚠ CAUTION:** ALWAYS make sure you support the weight of the hedge trimmer by setting it down on a flat, dry surface when you are clamping the blade assembly in a vise.



## MAINTENANCE cont.

### SHARPENING AND REMOVING NICKS FROM THE BLADES cont. (Fig. 9)

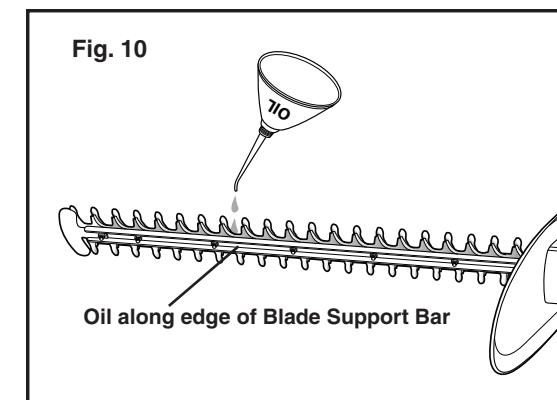
4. Remove the hedge trimmer from the vise, connect to power, restart trimmer to expose any other part of the cutting blade you need to file, stop trimmer, and disconnect trimmer from the power supply.
5. Repeat the above process of filing and moving the blade teeth until you have removed the nick and sharpened the tooth.

**⚠ WARNING:** Do not at any time let brake fluids, gasoline, petroleum-based products, penetrating oils, etc., come in contact with plastic parts. Chemicals can damage, weaken or destroy plastic which may result in serious personal injury.

### LUBRICATING THE BLADE (Fig. 10)

**⚠ WARNING:** To avoid injury, ALWAYS turn off and disconnect the trimmer from the power outlet BEFORE installing parts, cleaning the trimmer or making any adjustments.

For efficient operation and longer blade life, always clean and lubricate the hedge trimmer blade before and after each use. Before lubricating, be sure the unit is turned OFF and unplugged from the power supply. Apply a premium light machine oil along the edge of the top strap (see Fig. 10).



**⚠ CAUTION:** Some spray-on lubricants contain solvents and will cause some types of grease to break down. To prevent damage to the unit, only use a quality machine oil.

## ACCESSORIES

**⚠ CAUTION:** There are NO accessories designed for use on your hedge trimmer

**⚠ WARNING:** The use of attachments or accessories that are not recommended for this tool might be dangerous and could result in serious injury.

Visit your local Sears store or other Craftsman outlets or shop [sears.com/craftsman](http://sears.com/craftsman).

## NEED MORE HELP?

You'll find the answer and a more on [managemyhome.com](http://managemyhome.com) – for free!

- Find this and all your other product manuals online.
- Get answers from our team of home experts.
- Get a personalized maintenance plan for your home.
- Find information and tools to help with home projects.

**manage my home**

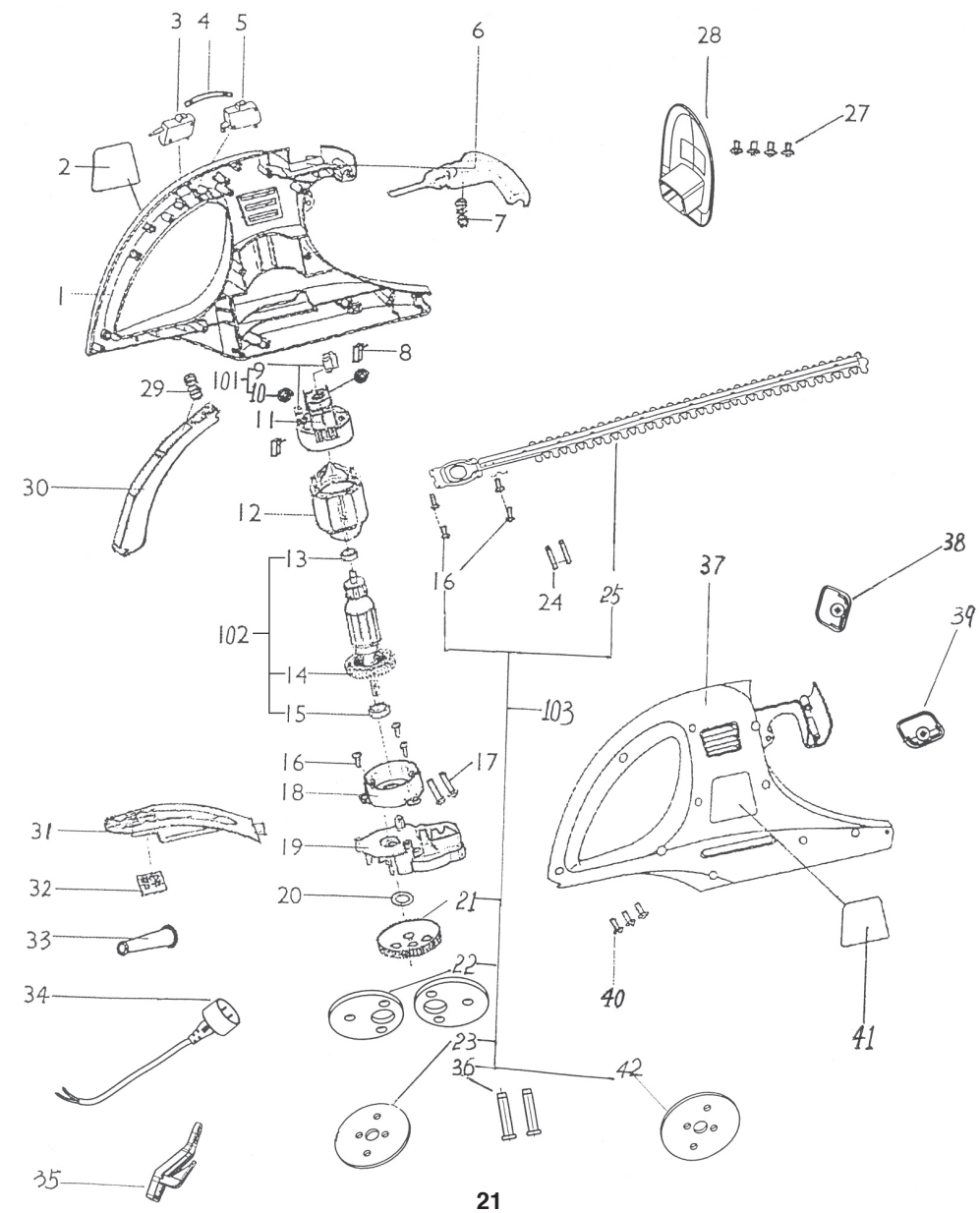
brought to you by Sears

## PARTS LIST

### 22-in. 3.2 Amp Electric Hedge Trimmer

Model No. 172.79957

The model number will be found on the nameplate of the Hedge Trimmer. Always mention the model number when requesting parts and service for your tool.



**PARTS LIST cont.**

**22-in. 3.2 Amp  
Electric Hedge Trimmer**

Model No. 172.79957

The model number will be found on the nameplate of the Hedge Trimmer.  
Always mention the model number when requesting parts and service for your tool.

Item No.	Parts No.	Part Description	Qty.
1	GHTA22E0-1	left housing	1
2	GHTA22E0-2	name plate	1
3	GHTA22E0-3	switch	1
4	GHTA22E0-4	internal wire	2
5	GHTA22E0-5	switch	1
6	GHTA22E0-6	front handle	1
7	GHTA22E0-7	spring	1
8	GHTA22E0-8	carbon	2
101	GHTA22E0-101	brush holder unit	2
9	GHTA22E0-9	brush holder	2
10	GHTA22E0-10	spiral spring	2
11	GHTA22E0-11	rear cover	1
12	GHTA22E0-12	motor field (stator)	1
102	GHTA22E0-102	Rotor Unit	1
13	GHTA22E0-13	ball bearing	1
14	GHTA22E0-14	motor armature(rotor)	1
15	GHTA22E0-15	ball bearing	1
103	GHTA22E0-103	blade unit	1
16	GHTA22E0-16	screw	7
21	GHTA22E0-21	gear	1
22	GHTA22E0-22	eccentricity wheel	2

**PARTS LIST cont.**

**22-in. 3.2 Amp  
Electric Hedge Trimmer**

Model No. 172.79957

The model number will be found on the nameplate of the Hedge Trimmer.  
Always mention the model number when requesting parts and service for your tool.

Item No.	Parts No.	Part Description	Qty.
23	GHTA22E0-23	isolated washer	1
25	GHTA22E0-25	cutting set	1
36	GHTA22E0-36	rivet	2
42	GHTA22E0-42	cover board	1
17	GHTA22E0-17	self-tapping screw	2
18	GHTA22E0-18	front cover	1
19	GHTA22E0-19	gear case	1
20	GHTA22E0-20	washer	1
24	GHTA22E0-24	pin	2
27	GHTA22E0-27	self-tapping screw	4
28	GHTA22E0-28	hand guard	1
29	GHTA22E0-29	spring	1
30	GHTA22E0-30	switch actuator	1
31	GHTA22E0-31	cover	1
32	GHTA22E0-32	cord clamp	1
33	GHTA22E0-33	cord protector	1
34	GHTA22E0-34	cord & plug	1
35	GHTA22E0-35	cable-hook	1
37	GHTA22E0-37	right housing	1
38	GHTA22E0-38	left cover	1
39	GHTA22E0-39	right cover	1
40	GHTA22E0-40	self-tapping screw	17
41	GHTA22E0-41	name plate	1

## Get it fixed, at your home or ours!

### Your Home

For expert troubleshooting and home solutions advice:

**manage my home**

[www.managemyhome.com](http://www.managemyhome.com)

For repair – **in your home** – of **all** major brand appliances, lawn and garden equipment, or heating and cooling systems, **no matter who made it, no matter who sold it!**

For the replacement parts, accessories and owner's manuals that you need to do-it-yourself.

For Sears professional installation of home appliances and items like garage door openers and water heaters.

**1-800-4-MY-HOME®** Call anytime, day or night  
(1-800-469-4663) (U.S.A. and Canada)  
[www.sears.com](http://www.sears.com) [www.sears.ca](http://www.sears.ca)

### Our Home

For repair of carry-in items like vacuums, lawn equipment, and electronics, call anytime for the location of the nearest **Sears Parts & Repair Service Center**

**1-800-488-1222** (U.S.A.) **1-800-469-4663** (Canada)  
[www.sears.com](http://www.sears.com) [www.sears.ca](http://www.sears.ca)

To purchase a protection agreement on a product serviced by Sears:

**1-800-827-6655** (U.S.A.) **1-800-361-6665** (Canada)

Para pedir servicio de reparación a domicilio, y para ordenar piezas: Au Canada pour service en français:

**1-888-SU-HOGAR®** **1-800-LE-FOYER<sup>MC</sup>**  
(1-888-784-6427) (1-800-533-6937)  
[www.sears.ca](http://www.sears.ca)

**Sears**

© Sears Brands, LLC

® Registered Trademark / ™ Trademark / ™ Service Mark of Sears Brands, LLC

® Marca Registrada / ™ Marca de Fábrica / ™ Marca de Servicio de Sears Brands, LLC

<sup>MC</sup> Marque de commerce / <sup>MD</sup> Marque déposée de Sears Brands, LLC